



M-BUS to KNX TP Gateway

Item number: INKNXMEB0100000

Integrate any M-Bus device with any KNX device or system. This integration aims to make M-Bus devices, their registers, and resources accessible from a KNX system as if they were a part of the KNX system and vice versa.

M-BUS to KNX - 10 devices

Features and benefits

- ✓ **Easy commissioning**
Integration and M-BUS commissioning processes are managed via the Intesis MAPS configuration tool.
- ✓ **Control up to 3000 KNX communication objects**
Up to 3000 KNX communication objects can be controlled by the gateway.
- ✓ **Embedded M-Bus level converter**
An M-Bus level converter is embedded in the gateway, so no external one is required.
- ✓ **Support for KNX TP devices**
The gateway supports KNX TP (twisted pair) devices.
- ✓ **Automatic meter detection and register discovery**
A scan function is available for automatic identification of M-Bus devices and registers discovery.
- ✓ **KNX standard datapoints (DPTs) support**
KNX standard datapoints (DPTs) are supported, guaranteeing a simple KNX device/system integration.



General	
Net Width (mm)	88
Net Height (mm)	56
Net Depth (mm)	90
Net Weight (g)	190
Packed Width (mm)	127
Packed Height (mm)	86
Packed Depth (mm)	140
Packed Weight (g)	227
Operating Temperature °C Min	0
Operating Temperature °C Max	60
Input Voltage (V)	24VDC +/-10%.
Power Connector	3-pole
Capacity	Up to 10 meters.
Installation Conditions	This gateway is designed to be mounted inside an enclosure. If the unit is mounted outside an enclosure, precautions should always be taken to prevent electrostatic discharge to the unit. When working inside an enclosure (e.g., making adjustments, setting switches, etc.), typical anti-static precautions should always be followed before touching the unit.
Content of Delivery	Intesis gateway, installation manual.
Not Included (in delivery)	Power supply not included.
Mounting	DIN rail mount (bracket included), Wall mount
Housing Materials	Plastic
Warranty (years)	3 years



General

Packaging Material	Cardboard
---------------------------	-----------

Identification and Status

Product ID	INKNXMEB0100000
-------------------	-----------------

Country of Origin	Spain
--------------------------	-------

HS Code	8517620000
----------------	------------

Export Control Classification Number (ECCN)	EAR99
--	-------

Physical Features

Battery Description	Manganese Dioxide Lithium button battery.
----------------------------	---

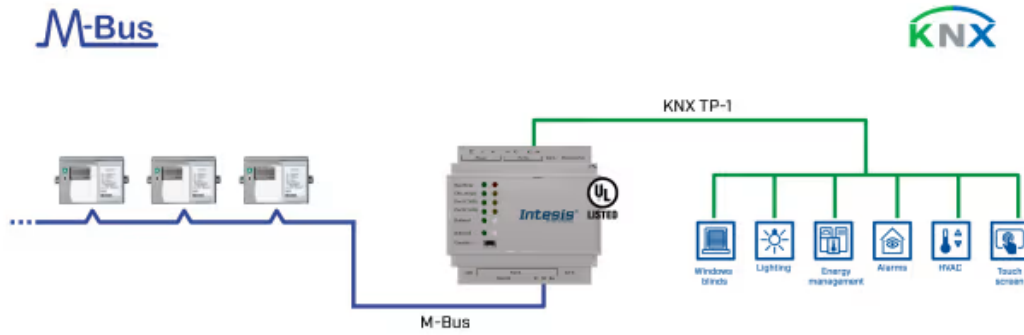
Certifications and Standards

ETIM Classification	EC001604
----------------------------	----------

WEEE Category	IT and telecommunications equipment
----------------------	-------------------------------------



Use Case



Integration example.