

## Fujitsu VRF systems to KNX Application

Item number: IN775FGLXXSO000

The Fujitsu application has been specially designed to allow bidirectional control and monitoring of Fujitsu VRF systems from a KNX installation. The solution allows the integration of up to 4 indoor units from a single interface.



*Fujitsu to KNX - Up to 4 Indoor Units*

### Features and benefits

- ✓ **KNX standard datapoints (DPTs) support**  
KNX standard datapoints (DPTs) are supported, guaranteeing a simple KNX device/system integration.
- ✓ **Automatic identification**  
A scan function is available for automatic identification of the units present in the VRF system.
- ✓ **Individual indoor unit energy consumption signals**  
Energy consumption signals from each indoor unit are available, so they can be checked individually.
- ✓ **Commissioning-friendly approach with Intesis MAPS**  
Templates can be imported and reused as often as needed, significantly reducing commissioning time.
- ✓ **Direct access to the outdoor unit**  
Connection is simple, as the interface connects directly to the outdoor unit's communication bus.
- ✓ **Outdoor unit signals**  
Signals assigned to the outdoor unit are available to be used in the integration.
- ✓ **Datapoint support**  
A wide range of monitoring and control datapoints is available.
- ✓ **Configuration tool and interface automatic updates**  
Both the Intesis MAPS configuration tool and the interface's firmware can receive automatic updates.



General	
Net Weight (g)	275
Packed Width (mm)	106
Packed Height (mm)	58
Packed Depth (mm)	90
Packed Weight (g)	345
Operating Temperature °C Min	0
Operating Temperature °C Max	60
Input Voltage (V)	For DC: 12 .. 36 VDC ±10%, Max: 250 mA For AC: 24 VAC ±10 %, 50-60 Hz, Max: 127 mA Recommended voltage: 24 VDC, Max: 127 mA
Power Connector	3-pole
Capacity	Up to 4 indoor units and up to 12 outdoor units.
Installation Conditions	This gateway is designed to be mounted inside an enclosure. If the unit is mounted outside an enclosure, precautions should always be taken to prevent electrostatic discharge to the unit. When working inside an enclosure (e.g., making adjustments, setting switches, etc.), typical anti-static precautions should always be followed before touching the unit.
Content of Delivery	Intesis Gateway, Installation Manual, USB Configuration cable.
Not Included (in delivery)	Power supply not included.
Mounting	DIN rail mount (bracket included), Wall mount
Housing Materials	Plastic
Packaging Material	Cardboard
Warranty (years)	3 years

Identification and Status	
Product ID	IN775FGLXXSO000_KNX_FGL
Country of Origin	Spain



## Identification and Status

<b>HS Code</b>	8517620000
<b>Export Control Classification Number (ECCN)</b>	EAR99
<b>Purchasing Multiple ERP</b>	1

## Physical Features

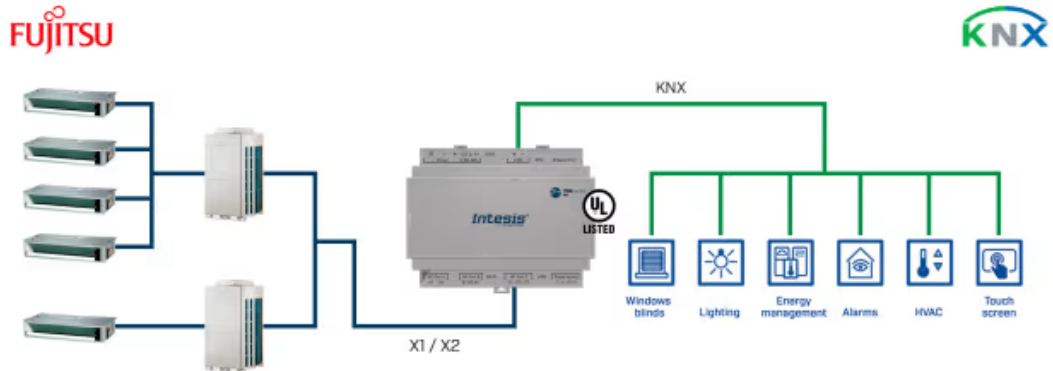
<b>Connectors / Input / Output</b>	Power supply, EIA-485, KNX, Ethernet, HVAC port, Binary inputs (dry contact), Console port USB.
<b>LED Indicators</b>	Gateway and communication status.
<b>Push Buttons</b>	Factory reset. I-Am message (for BACnet only). Normal mode/programming mode switch (for KNX only).
<b>DIP &amp; Rotary Switches</b>	EIA-485 serial port configuration.

## Certifications and Standards

<b>ETIM Classification</b>	EC001604
<b>WEEE Category</b>	IT and telecommunications equipment



## Use Case



Integration example.



Use Intesis MAPS to change the protocol: BACnet, Modbus, KNX, or Home Automation