

Samsung NASA VRF systems to BACnet/IP & MS/TP Application

Item number: IN770AIRXXSO000

The Samsung application has been specially designed to allow bidirectional control and monitoring of Samsung NASA VRF systems from a BMS, SCADA, PLC, or any other device working as a BACnet/IP server or a BACnet MS/TP client. The solution allows the integration of up to 4 indoor units from a single interface.

Samsung to BACnet/IP & MS/TP - Up to 4 Indoor Units

Features and benefits

- ✓ **BACnet/IP and BACnet MS/TP support**
The interface supports both BACnet/IP and BACnet MS/TP protocols.
- ✓ **Automatic identification**
A scan function is available for automatic identification of the units present in the VRF system.
- ✓ **Individual indoor unit energy consumption signals**
Energy consumption signals from each indoor unit are available, so they can be checked individually.
- ✓ **Commissioning-friendly approach with Intesis MAPS**
Templates can be imported and reused as often as needed, significantly reducing commissioning time.
- ✓ **Direct access to the outdoor unit**
Connection is simple, as the interface connects directly to the outdoor unit's communication bus.
- ✓ **Outdoor unit signals**
Signals assigned to the outdoor unit are available to be used in the integration.
- ✓ **WindFree supported**
This interface supports the WindFree™ Cooling technology and all the advantages it brings.
- ✓ **Configuration tool and interface automatic updates**
Both the Intesis MAPS configuration tool and the interface's firmware can receive automatic updates.

Samsung NASA VRF systems to BACnet/IP & MS/TP Application



General	
Net Weight (g)	240
Packed Width (mm)	106
Packed Height (mm)	58
Packed Depth (mm)	90
Packed Weight (g)	310
Operating Temperature °C Min	0
Operating Temperature °C Max	60
Capacity	Up to 4 indoor units and up to 16 outdoor units.
Installation Conditions	This gateway is designed to be mounted inside an enclosure. If the unit is mounted outside an enclosure, precautions should always be taken to prevent electrostatic discharge to the unit. When working inside an enclosure (e.g., making adjustments, setting switches, etc.), typical anti-static precautions should always be followed before touching the unit.
Content of Delivery	Intesis Gateway, Installation Manual, USB Configuration cable.
Not Included (in delivery)	Power supply not included.
Mounting	DIN rail mount (bracket included), Wall mount
Housing Materials	Plastic
Packaging Material	Cardboard
Warranty (years)	3 years

Identification and Status	
Product ID	IN770AIRXXSO000_BAC_SAM
Country of Origin	Spain
HS Code	8517620000
Export Control Classification Number (ECCN)	EAR99

Samsung NASA VRF systems to BACnet/IP & MS/TP Application



Identification and Status

Purchasing Multiple ERP	1
--------------------------------	---

Physical Features

LED Indicators	Gateway and communication status.
-----------------------	-----------------------------------

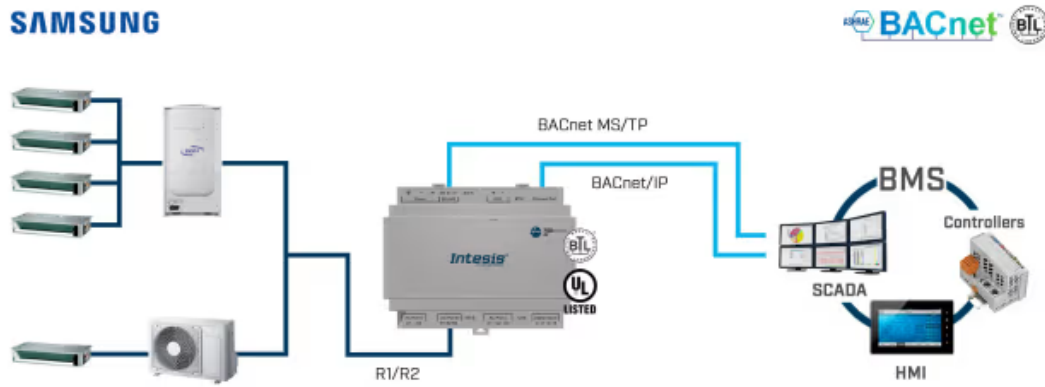
Push Buttons	Factory reset. I-Am message (for BACnet only). Normal mode/programming mode switch (for KNX only).
---------------------	----------------------------------------------------------------------------------------------------

Certifications and Standards

ETIM Classification	EC001604
----------------------------	----------

WEEE Category	IT and telecommunications equipment
----------------------	-------------------------------------

Use Case



Integration example.



Use Intesis MAPS to change the protocol: BACnet, Modbus, KNX, or Home Automation