

Samsung NASA VRF systems to Modbus TCP/RTU Application

Item number: IN770AIRXXSO000

The Samsung application has been specially designed to allow bidirectional control and monitoring of Samsung NASA VRF systems from a BMS, SCADA, PLC, or any other device working as a Modbus client. The solution allows the integration of up to 4 indoor units from a single interface.



Samsung to Modbus TCP/RTU - Up to 4 Indoor Units

Features and benefits

- ✓ **Simultaneous Modbus TCP and RTU management**
The gateway is a Modbus server and is able to manage both Modbus TCP and Modbus RTU simultaneously.
- ✓ **Automatic identification**
A scan function is available for automatic identification of the units present in the VRF system.
- ✓ **Individual indoor unit energy consumption signals**
Energy consumption signals from each indoor unit are available, so they can be checked individually.
- ✓ **WindFree supported**
This interface supports the WindFree™ Cooling technology and all the advantages it brings.
- ✓ **Direct access to the outdoor unit**
Connection is simple, as the interface connects directly to the outdoor unit's communication bus.
- ✓ **Outdoor unit signals**
Signals assigned to the outdoor unit are available to be used in the integration.
- ✓ **Multiple TCP client support**
The interface supports up to 6 TCP clients (incoming sockets).
- ✓ **Commissioning-friendly approach with Intesis MAPS**
Templates can be imported and reused as often as needed, significantly reducing commissioning time.

Samsung NASA VRF systems to Modbus TCP/RTU Application



General

Net Weight (g)	240
Packed Width (mm)	106
Packed Height (mm)	58
Packed Depth (mm)	90
Packed Weight (g)	310
Operating Temperature °C Min	0
Operating Temperature °C Max	60
Capacity	Up to 4 indoor units and up to 16 outdoor units.
Installation Conditions	This gateway is designed to be mounted inside an enclosure. If the unit is mounted outside an enclosure, precautions should always be taken to prevent electrostatic discharge to the unit. When working inside an enclosure (e.g., making adjustments, setting switches, etc.), typical anti-static precautions should always be followed before touching the unit.
Content of Delivery	Intesis Gateway, Installation Manual, USB Configuration cable.
Not Included (in delivery)	Power supply not included.
Mounting	DIN rail mount (bracket included), Wall mount
Housing Materials	Plastic
Packaging Material	Cardboard
Warranty (years)	3 years

Identification and Status

Product ID	IN770AIRXXSO000_MBS_SAM
Country of Origin	Spain
HS Code	8517620000
Export Control Classification Number (ECCN)	EAR99

Samsung NASA VRF systems to Modbus TCP/RTU Application



Identification and Status

Purchasing Multiple ERP	1
--------------------------------	---

Physical Features

LED Indicators	Gateway and communication status.
Push Buttons	Factory reset. I-Am message (for BACnet only). Normal mode/programming mode switch (for KNX only).

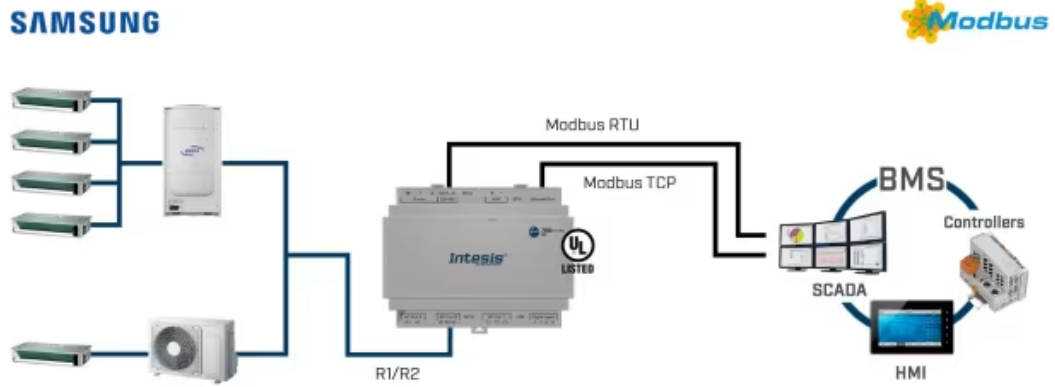
Certifications and Standards

ETIM Classification	EC001604
WEEE Category	IT and telecommunications equipment





Use Case



Integration example.



Use Intesis MAPS to change the protocol: BACnet, Modbus, KNX, or Home Automation