

## BACnet/IP & MS/TP Client to Modbus TCP & RTU Server Application

Item number: IN7004851000000

Integrate any BACnet MS/TP or BACnet/IP server device with a Modbus BMS or any Modbus TCP or RTU controller. This integration aims to make BACnet objects, data, and resources accessible from a Modbus-based control system or device as if they were a part of the Modbus system and vice versa.



*BACnet/IP & MS/TP to Modbus TCP & RTU - 100 points*

### Features and benefits

- ✓ **Up to six concurrent Modbus TCP clients supported**  
The gateway supports up to six simultaneous Modbus TCP clients.
- ✓ **Support for both BACnet/IP and BACnet MS/TP**  
The gateway supports both BACnet/IP and BACnet MS/TP protocols.
- ✓ **Easy integration with Intesis MAPS**  
The integration process is quickly and easily managed using the Intesis MAPS configuration tool.
- ✓ **Configuration tool and gateway automatic updates**  
Both the Intesis MAPS configuration tool and the gateway's firmware can receive automatic updates.
- ✓ **Support for both Modbus RTU and Modbus TCP**  
The gateway supports both Modbus RTU and Modbus TCP protocols.
- ✓ **BACnet devices scan option with BACnet Explorer**  
It is possible to scan the BACnet network to discover devices using the BACnet Explorer feature.
- ✓ **Commissioning-friendly approach with Intesis MAPS**  
Templates can be imported and reused as often as needed, significantly reducing commissioning time.

# BACnet/IP & MS/TP Client to Modbus TCP & RTU Server Application



General	
Net Width (mm)	88
Net Height (mm)	90
Net Depth (mm)	58
Net Weight (g)	194
Packed Width (mm)	127
Packed Height (mm)	86
Packed Depth (mm)	140
Packed Weight (g)	356
Operating Temperature °C Min	-10
Operating Temperature °C Max	60
Storage Temperature °C Min	-30
Storage Temperature °C Max	60
Power Consumption (W)	1.7
Input Voltage (V)	For DC: 9 .. 36 VDC, Max: 260 mA, 2.4 W For AC: 24 VAC ±10 %, 50-60 Hz, Max: 100 mA, 2.4 W Recommended voltage: 24 VDC, Max: 100 mA
Power Connector	3-pole
Configuration	Intesis MAPS
Capacity	Up to 100 points.
Installation Conditions	This gateway is designed to be mounted inside an enclosure. If the unit is mounted outside an enclosure, precautions should always be taken to prevent electrostatic discharge to the unit. When working inside an enclosure (e.g., making adjustments, setting switches, etc.), typical anti-static precautions should always be followed before touching the unit.
Content of Delivery	Intesis Gateway, Installation Manual, USB Configuration cable.

# BACnet/IP & MS/TP Client to Modbus TCP & RTU Server Application



## General

Not Included (in delivery)	Power supply not included.
Mounting	DIN rail mount (bracket included), Wall mount
Housing Materials	Plastic
Warranty (years)	3 years
Packaging Material	Cardboard

## Identification and Status

Product ID	IN7004851000000_MBS_BAC
Country of Origin	Spain
HS Code	8517620000
Export Control Classification Number (ECCN)	EAR99

## Physical Features

Connectors / Input / Output	Power supply, two EIA-485 ports, Ethernet, Console port USB Mini-B type, USB storage, EIA-232.
LED Indicators	Gateway and communication status.
Push Buttons	Factory reset.
DIP & Rotary Switches	EIA-485 serial port configuration.
Battery Description	Manganese Dioxide Lithium button battery.

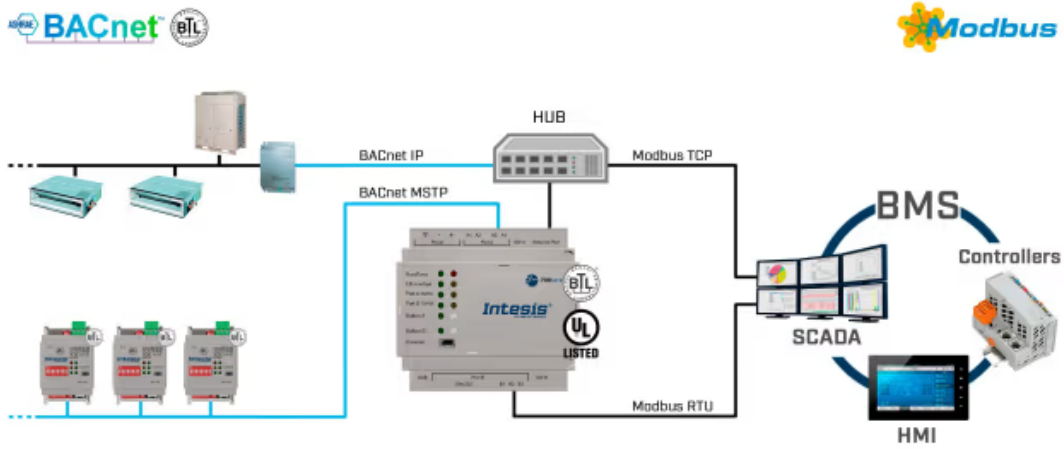
## Certifications and Standards

ETIM Classification	EC001604
WEEE Category	IT and telecommunications equipment

# BACnet/IP & MS/TP Client to Modbus TCP & RTU Server Application



## Use Case



Integration example.



Use Intesis MAPS to change the protocol: BACnet, Modbus, KNX, or Home Automation