

Panasonic ECOi and PACi systems to BACnet MS/TP Interface

Item number: INBACPAN001R100

The Panasonic-BACnet interface allows full bidirectional communication between Panasonic ECOi and PACi air conditioner units and BACnet MS/TP networks. It enables BACnet communication via polling or subscription requests (COV), making the indoor unit available through independent BACnet objects. A wired remote controller can also be connected.



Panasonic to BACnet MS/TP - 1 indoor unit

Features and benefits

- ✓ **BACnet MS/TP support only**
Only the BACnet MS/TP protocol is supported.
- ✓ **AC unit data served as fixed BACnet Objects**
Air conditioning unit properties and functionalities are abstracted into fixed BACnet Objects.
- ✓ **Total unit control and monitoring from BACnet**
Through internal variables, running hours counter (for maintenance purposes), and error indication.
- ✓ **No external power required**
The interface is powered directly from the AC unit, so no external power supply is required.
- ✓ **Configuration from onboard DIP switches**
The interface configuration is carried out directly through its onboard DIP switches.
- ✓ **Occupancy function to allow energy savings**
Occupancy function that helps reduce costs, as HVAC systems are one of the main energy consumers.
- ✓ **AC unit control by remote and BACnet MS/TP**
The AC unit can simultaneously be controlled via BACnet MS/TP and its own remote controller.
- ✓ **Multiple mounting options**
Mounting options include DIN rail, wall, or, in some AC models, even inside the indoor unit.

Panasonic ECOi and PACi systems to BACnet MS/TP Interface



General	
Net Width (mm)	53
Net Height (mm)	58
Net Depth (mm)	93
Net Weight (g)	95
Packed Width (mm)	140
Packed Height (mm)	86
Packed Depth (mm)	110
Packed Weight (g)	188
Operating Temperature °C Min	0
Operating Temperature °C Max	60
Storage Temperature °C Min	-20
Storage Temperature °C Max	85
Power Consumption (W)	0.72
Input Voltage (V)	12 VDC
Power Connector	2-pole
Configuration	Dip-switches
Capacity	1 Indoor unit.
Installation Conditions	This gateway is designed to be mounted inside an enclosure. If the unit is mounted outside an enclosure, precautions should always be taken to prevent electrostatic discharge to the unit. When working inside an enclosure (e.g., making adjustments, setting switches, etc.), typical anti-static precautions should always be followed before touching the unit.
AC Model Compatibility	Panasonic ECOi & PACi systems

Panasonic ECOi and PACi systems to BACnet MS/TP Interface



General

Content of Delivery	Intesis Gateway, Installation Manual.
Mounting	DIN rail mount (bracket included), Wall mount
Housing Materials	Plastic
Warranty (years)	3 years
Packaging Material	Cardboard

Identification and Status

Product ID	INBACPAN001R100
Country of Origin	Spain
HS Code	8517620000
Export Control Classification Number (ECCN)	EAR99

Physical Features

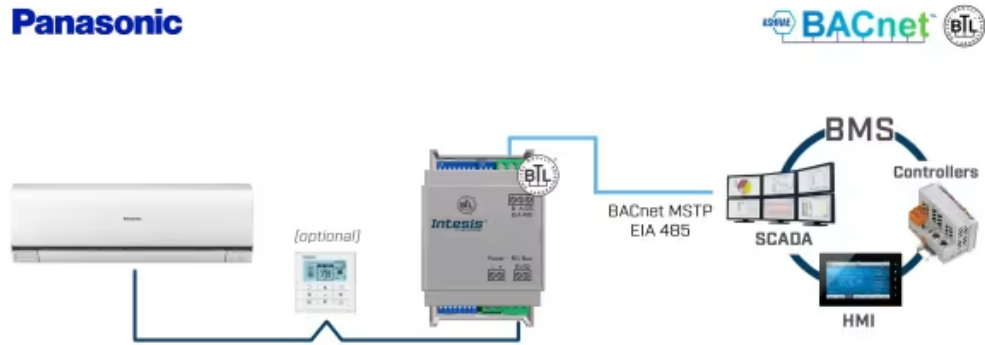
Connectors / Input / Output	EIA-485, HVAC port.
LED Indicators	Gateway and communication status.
DIP & Rotary Switches	EIA-485 serial port configuration. Gateway settings.

Certifications and Standards

ETIM Classification	EC001604
WEEE Category	IT and telecommunications equipment



Use Case



Integration example.