

# DALI-2 to Modbus TCP Server Application with 2 DALI channels

Item number: IN704DAL1280000

Integrate any DALI/DALI-2 driver and DALI-2 light sensor or occupancy sensor with a Modbus BMS or any Modbus TCP controller. This integration aims to make DALI devices and their data and resources accessible from a Modbus-based control system or device as if they were a part of the Modbus system and vice versa.

*DALI to Modbus TCP - 2 DALI channels*

## Features and benefits

- ✓ **Modbus support**  
The gateway supports the Modbus TCP protocol.
- ✓ **DALI support**  
The gateway is DALI-2 certified and supports DALI/DALI-2 drivers and DALI-2 input devices: Push buttons, absolute input devices, and occupancy and light sensors.
- ✓ **Local control options**  
Occupancy and light sensors, push buttons, and absolute inputs can be locally controlled from the gateway. The DALI standard device type for Energy and Diagnostic data has also been implemented.
- ✓ **Max 64 drivers/ballasts + 64 DALI-2 input devices per channel**  
Supports up to 64 drivers/ballasts + 64 DALI-2 input devices (sensors/push buttons/absolute inputs) per channel.
- ✓ **Up to five concurrent Modbus TCP clients supported**  
The gateway supports up to five simultaneous Modbus TCP clients.
- ✓ **Easy DALI commissioning/integration w/Intesis MAPS**  
Integration and DALI commissioning processes are managed via the Intesis MAPS configuration tool. Templates can be imported and reused as often as needed, significantly reducing commissioning time.
- ✓ **Color control**  
RGB and tunable white controls are available in Intesis MAPS, to cover the demand for Human Centric Lighting.
- ✓ **Signals and power**  
A DALI power supply is integrated into the gateway, so no external DALI power supply is required. Up to 10,000 signals can be defined in total, with a guaranteed output current of 230 mA.

# DALI-2 to Modbus TCP Server Application with 2 DALI channels



## Identification and Status

Product ID	IN704DAL1280000_MBS_DAL
Country of Origin	Spain
HS Code	8517620000
Export Control Classification Number (ECCN)	EAR99

## General

Net Width (mm)	106
Net Height (mm)	58
Net Depth (mm)	90
Net Weight (g)	224
Packed Width (mm)	127
Packed Height (mm)	86
Packed Depth (mm)	140
Packed Weight (g)	386
Operating Temperature °C Min	-10
Operating Temperature °C Max	60
Input Voltage (V)	24 VDC, 12 W.
Power Connector	3-pole
Capacity	2 DALI channels: each channel supports 64 drivers/ballasts and 64 DALI-2 input devices (sensors, push buttons, or absolute inputs)— up to 10000 signals.
Installation Conditions	This gateway is designed to be mounted inside an enclosure. If the unit is mounted outside an enclosure, precautions should always be taken to prevent electrostatic discharge to the unit. When working inside an enclosure (e.g., making adjustments, setting switches, etc.), typical anti-static precautions should always be followed before touching the unit.
Content of Delivery	Intesis Gateway, Installation Manual, USB Configuration cable.

# DALI-2 to Modbus TCP Server Application with 2 DALI channels



## General

<b>Not Included (in delivery)</b>	Power supply not included.
<b>Mounting</b>	DIN rail mount (bracket included), Wall mount
<b>Housing Materials</b>	Plastic
<b>Warranty (years)</b>	3 years
<b>Packaging Material</b>	Cardboard

## Physical Features

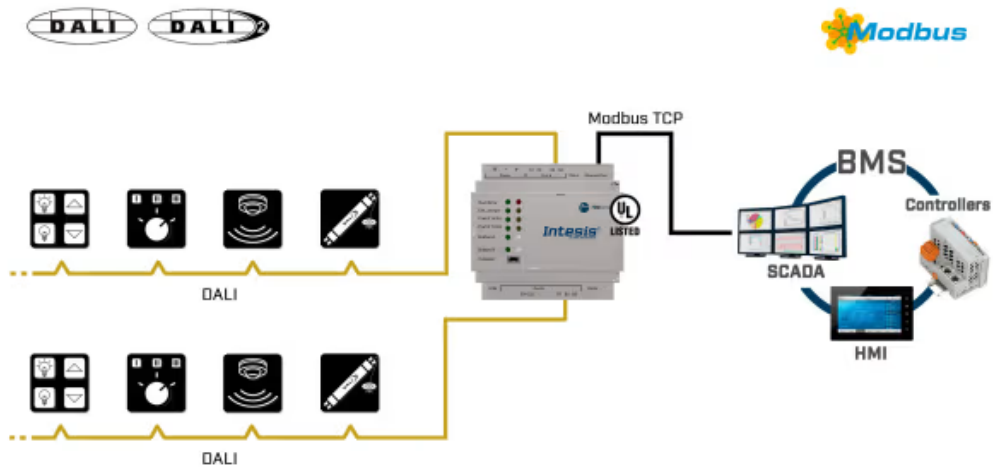
<b>Connectors / Input / Output</b>	Power supply, two DALI channels, Ethernet, Console port USB Mini-B type, USB storage.
<b>LED Indicators</b>	Gateway and communication status.
<b>Push Buttons</b>	Factory reset.
<b>DIP &amp; Rotary Switches</b>	Not used.
<b>Battery Description</b>	Manganese Dioxide Lithium button battery.

## Certifications and Standards

<b>ETIM Classification</b>	EC001604
----------------------------	----------

# DALI-2 to Modbus TCP Server Application with 2 DALI channels

## Use Case



Integration example.



Use Intesis MAPS to change the protocol: DALI, Modbus or Bacnet