



## M-BUS to KNX TP Gateway

Item number: INKNXMEB1200000

Integrate any M-Bus device with any KNX device or system. This integration aims to make M-Bus devices, their registers, and resources accessible from a KNX system as if they were a part of the KNX system and vice versa.

*M-BUS to KNX - 120 devices*

### Features and benefits

- ✓ **Easy commissioning**  
Integration and M-BUS commissioning processes are managed via the Intesis MAPS configuration tool.
- ✓ **Control up to 3000 KNX communication objects**  
Up to 3000 KNX communication objects can be controlled by the gateway.
- ✓ **Embedded M-Bus level converter**  
An M-Bus level converter is embedded in the gateway, so no external one is required.
- ✓ **Support for KNX TP devices**  
The gateway supports KNX TP (twisted pair) devices.
- ✓ **Automatic meter detection and register discovery**  
A scan function is available for automatic identification of M-Bus devices and registers discovery.
- ✓ **KNX standard datapoints (DPTs) support**  
KNX standard datapoints (DPTs) are supported, guaranteeing a simple KNX device/system integration.



General	
Net Width (mm)	88
Net Height (mm)	90
Net Depth (mm)	58
Net Weight (g)	190
Packed Width (mm)	127
Packed Height (mm)	86
Packed Depth (mm)	140
Packed Weight (g)	227
Operating Temperature °C Min	0
Operating Temperature °C Max	60
Storage Temperature °C Min	-30
Storage Temperature °C Max	60
Power Consumption (W)	14
Input Voltage (V)	24VDC +/-10%.
Power Connector	3-pole
Configuration	Intesis MAPS
Capacity	Up to 120 meters.
Installation Conditions	This gateway is designed to be mounted inside an enclosure. If the unit is mounted outside an enclosure, precautions should always be taken to prevent electrostatic discharge to the unit. When working inside an enclosure (e.g., making adjustments, setting switches, etc.), typical anti-static precautions should always be followed before touching the unit.
Content of Delivery	Intesis gateway and installation manual.



## General

<b>Mounting</b>	DIN rail mount (bracket included), Wall mount
<b>Housing Materials</b>	Plastic
<b>Warranty (years)</b>	3 years
<b>Packaging Material</b>	Cardboard

## Identification and Status

<b>Product ID</b>	INKNXMEB1200000
<b>Country of Origin</b>	Spain
<b>HS Code</b>	8517620000
<b>Export Control Classification Number (ECCN)</b>	EAR99

## Physical Features

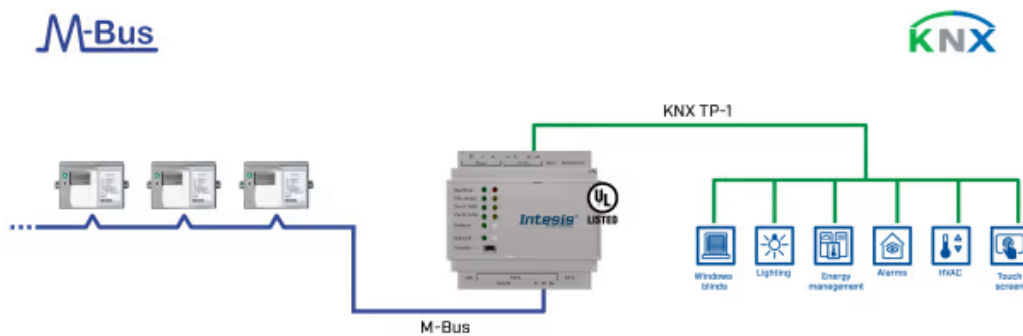
<b>Connectors / Input / Output</b>	Power supply, KNX, MBUS, Ethernet, Console port USB, USB storage.
<b>LED Indicators</b>	Gateway and communication status.
<b>Battery Description</b>	Manganese Dioxide Lithium button battery.

## Certifications and Standards

<b>ETIM Classification</b>	EC001604
<b>WEEE Category</b>	IT and telecommunications equipment



## Use Case



Integration example.