

# Midea Commercial & VRF systems to BACnet /IP & MS/TP Application

Item number: IN770AIR00MO000

The Midea application has been specially designed to allow bidirectional control and monitoring of Midea Commercial and VRF systems from a BMS, SCADA, PLC, or any other device working as a BACnet/IP server or a BACnet MS/TP client. The solution allows the integration of up to 64 indoor units from a single interface.

*Midea to BACnet/IP & MS/TP - Up to 64 Indoor Units*

## Features and benefits

- ✓ **Compatible with any network**  
The interface supports both BACnet/IP and BACnet MS/TP protocols.
- ✓ **Reduce commissioning time**  
Scan the bus and find all the units connected to the VRF system with their control signals. Now, the Midea gateway provides signals from the outdoor units as well.
- ✓ **A gateway for any project's size**  
Choose the license that better fits your needs (XXS - 4 indoor units, S - 16 indoor units, M - 64 indoor units), or upgrade your current license. Your project's dimensions and your budget are covered.
- ✓ **Fast and intuitive project configuration**  
Intesis MAPS is the user-friendly, in-house-developed configuration tool that enables you to maximize the potential of Intesis gateways. Simply select your template and eliminate the need for tedious manual signal mapping.
- ✓ **Minimize the use of installation materials, reduce the installation work**  
The gateway is connected directly to the outdoor units' communication bus. One single gateway enables centralized access to the entire VRF system.
- ✓ **Enable energy efficiency by controlling the building's main consuming asset.**  
The gateway's Power Estimation Algorithm allows you to estimate the energy consumption of each indoor unit present in the VRF system
- ✓ **Avoid compatibility issues**  
This gateway is compatible with Midea V4, V6, and V8 series.
- ✓ **Automatic updates will keep your product high performing**  
Both the Intesis MAPS configuration tool and the interface's firmware can receive automatic updates to improve the product's functionality.

# Midea Commercial & VRF systems to BACnet /IP & MS/TP Application



| General                      |  |
|------------------------------|--|
| Net Width (mm)               | 106  |
| Net Height (mm)              | 58   |
| Net Depth (mm)               | 90   |
| Net Weight (g)               | 240  |
| Packed Width (mm)            | 13   |
| Packed Height (mm)           | 8.5  |
| Packed Depth (mm)            | 14   |
| Packed Weight (g)            | 310  |
| Operating Temperature °C Min | 0  |
| Operating Temperature °C Max | 60   |
| Input Voltage (V)            | For DC: 12 .. 36 VDC ±10%, Max: 250 mA For AC: 24 VAC ±10 %, 50-60 Hz, Max: 127 mA Recommended voltage: 24 VDC, Max: 127 mA  |
| Power Connector              | 3-pole   |
| Capacity                     | Up to 64 indoor units.   |
| Installation Conditions      | This gateway is designed to be mounted inside an enclosure. If the unit is mounted outside an enclosure, precautions should always be taken to prevent electrostatic discharge to the unit. When working inside an enclosure (e.g., making adjustments, setting switches, etc.), typical anti-static precautions should always be followed before touching the unit. |
| AC Model Compatibility       | This gateway is compatible with Midea V4, V6, and V8 series.   |
| Content of Delivery          | Intesis Gateway, Installation Manual, USB Configuration cable.   |
| Not Included (in delivery)   | Power supply not included.   |
| Mounting                     | DIN rail mount (bracket included), Wall mount  |
| Housing Materials            | Plastic  |

# Midea Commercial & VRF systems to BACnet /IP & MS/TP Application



## General

|                    |           |
|--------------------|-----------|
| Warranty (years)   | 3 years   |
| Packaging Material | Cardboard |

## Identification and Status

|   |                         |
|---|-------------------------|
| Product ID                                  | IN770AIR00MO000_BAC_MID |
| Country of Origin                           | Spain                   |
| HS Code                                     | 8517620000              |
| Export Control Classification Number (ECCN) | EAR99                   |

## Physical Features

|                             |  |
|-----------------------------|--|
| Connectors / Input / Output | Power supply, EIA-485, KNX, Ethernet, HVAC port, Binary inputs (dry contact), Console port USB.    |
| LED Indicators              | Gateway and communication status.  |
| Push Buttons                | Factory reset. I-Am message (for BACnet only). Normal mode/programming mode switch (for KNX only). |
| DIP & Rotary Switches       | EIA-485 serial port configuration.   |

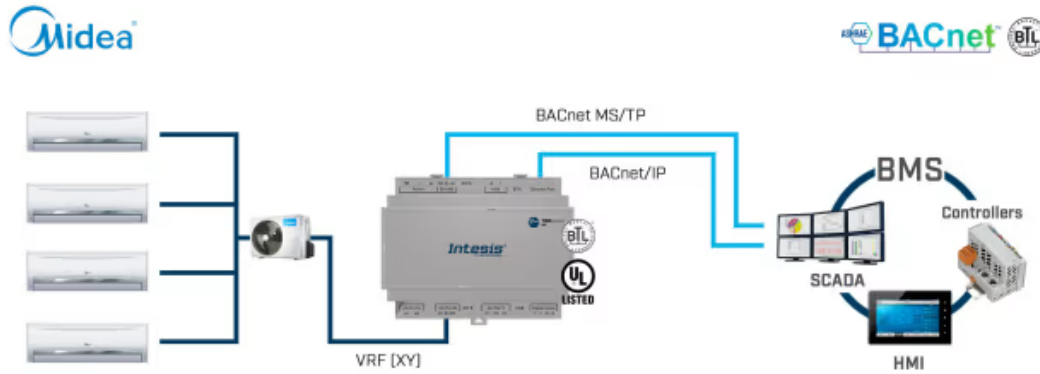
## Certifications and Standards

|                     |                                     |
|---------------------|-------------------------------------|
| ETIM Classification | EC001604                            |
| WEEE Category       | IT and telecommunications equipment |

# Midea Commercial & VRF systems to BACnet /IP & MS/TP Application



## Use Case



Integration example.



Use Intesis MAPS to change the protocol: BACnet, Modbus, KNX, or Home Automation