

Mitsubishi Electric City Multi systems to Modbus TCP/RTU Application

Item number: IN770AIR00MO000

The Mitsubishi Electric application has been specially designed to allow bidirectional control and monitoring of Mitsubishi Electric City Multi systems from a BMS, SCADA, PLC, or any other device working as a Modbus client. The solution allows the integration of up to 100 groups from a single interface.



Mitsubishi Electric to Modbus TCP/RTU - Up to 100 groups

Features and benefits

- ✓ **Simultaneous Modbus TCP and RTU management**
The gateway is a Modbus server and is able to manage both Modbus TCP and Modbus RTU simultaneously.
- ✓ **Automatic identification**
A scan function is available for automatic identification of the units present in the VRF system.
- ✓ **Individual indoor unit energy consumption signals**
Energy consumption signals from each indoor unit are available, so they can be checked individually.
- ✓ **Commissioning-friendly approach with Intesis MAPS**
Templates can be imported and reused as often as needed, significantly reducing commissioning time.
- ✓ **Direct access to the central controller**
Connection is simple, as the interface is directly connected to the central controller via Ethernet.
- ✓ **Outdoor unit signals**
Signals assigned to the outdoor unit are available to be used in the integration.
- ✓ **Multiple TCP client support**
The interface supports up to 6 TCP clients (incoming sockets).
- ✓ **Configuration tool and interface automatic updates**
Both the Intesis MAPS configuration tool and the interface's firmware can receive automatic updates.

Mitsubishi Electric City Multi systems to Modbus TCP/RTU Application



| General | |
|------------------------------|--|
| Net Width (mm) | 106 |
| Net Height (mm) | 58 |
| Net Depth (mm) | 90 |
| Net Weight (g) | 240 |
| Packed Width (mm) | 13 |
| Packed Height (mm) | 8.5 |
| Packed Depth (mm) | 14 |
| Packed Weight (g) | 310 |
| Operating Temperature °C Min | 0 |
| Operating Temperature °C Max | 60 |
| Capacity | Up to 100 groups. |
| Installation Conditions | This gateway is designed to be mounted inside an enclosure. If the unit is mounted outside an enclosure, precautions should always be taken to prevent electrostatic discharge to the unit. When working inside an enclosure (e.g., making adjustments, setting switches, etc.), typical anti-static precautions should always be followed before touching the unit. |
| AC Model Compatibility | List of compatible centralized controllers: G-50, G-50A, GB-50A, GB-50ADA, AB-150, AE-200, AE-50, AG-150A, EW-50, EB-50GU. |
| Content of Delivery | Intesis Gateway, Installation Manual, USB Configuration cable. |
| Not Included (in delivery) | Power supply not included. |
| Mounting | DIN rail mount (bracket included), Wall mount |
| Housing Materials | Plastic |
| Warranty (years) | 3 years |
| Packaging Material | Cardboard |

Mitsubishi Electric City Multi systems to Modbus TCP/RTU Application



Identification and Status

| | |
|--|-------------------------|
| Product ID | IN770AIR00MO000_MBS_MIT |
| Country of Origin | Spain |
| HS Code | 8517620000 |
| Export Control Classification Number (ECCN) | EAR99 |

Physical Features

| | |
|-----------------------|--|
| LED Indicators | Gateway and communication status. |
| Push Buttons | Factory reset. I-Am message (for BACnet only). Normal mode/programming mode switch (for KNX only). |

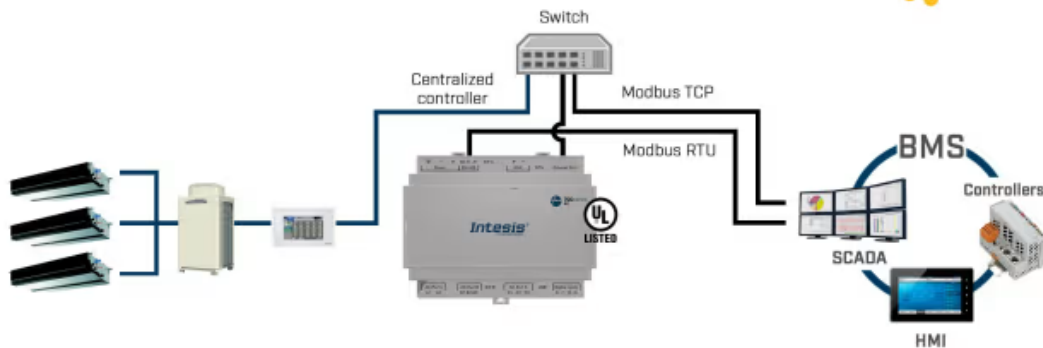
Certifications and Standards

| | |
|----------------------------|-------------------------------------|
| ETIM Classification | EC001604 |
| WEEE Category | IT and telecommunications equipment |

Mitsubishi Electric City Multi systems to Modbus TCP/RTU Application



Use Case



Integration example.

Mitsubishi Electric City Multi systems to Modbus TCP/RTU Application



Use Case



Use Intesis MAPS to change the protocol: BACnet, Modbus, KNX, or Home Automation