

## Modbus TCP & RTU Master to BACnet/IP & MS/TP Server Application

Item number: IN7004852500000

Integrate any Modbus RTU or TCP server device, or both simultaneously, with a BACnet BMS or any BACnet/IP or BACnet MS/TP controller. This integration aims to make Modbus signals and resources accessible from a BACnet-based control system or device as if they were a part of the BACnet system and vice versa.



*Modbus TCP & RTU to BACnet/IP & MS/TP - 250 points*

### Features and benefits

- ✓ **BACnet/IP client and MS/TP manager support**  
Both BACnet/IP client and MS/TP manager are supported.
- ✓ **Easy integration with Intesis MAPS**  
The integration process is quickly and easily managed using the Intesis MAPS configuration tool.
- ✓ **Commissioning-friendly approach with Intesis MAPS**  
Templates can be imported and reused as often as needed, significantly reducing commissioning time.
- ✓ **Configuration tool and gateway automatic updates**  
Both the Intesis MAPS configuration tool and the gateway's firmware can receive automatic updates.
- ✓ **BACnet Advanced features - calendars, schedules...**  
BACnet's advanced features, such as calendars, trend logs, schedules, and more, are available.
- ✓ **Two Modbus RTU lines for BACnet/IP integration**  
Two independent Modbus RTU ports are available for BACnet/IP integrations.
- ✓ **32 RTU devices per port with no repeater (255 max)**  
The gateway supports up to 32 Modbus devices per RTU node (without repeater) and up to 255 in total.
- ✓ **Template download/generation for Modbus products**  
Modbus device templates can be generated, imported locally, or downloaded from a repository.

# Modbus TCP & RTU Master to BACnet/IP & MS/TP Server Application



General	
Net Width (mm)	106
Net Height (mm)	58
Net Depth (mm)	90
Net Weight (g)	194
Packed Width (mm)	127
Packed Height (mm)	86
Packed Depth (mm)	140
Packed Weight (g)	356
Operating Temperature °C Min	-10
Operating Temperature °C Max	60
Input Voltage (V)	For DC: 9 .. 36 VDC, Max: 260 mA, 2.4 W For AC: 24 VAC ±10 %, 50-60 Hz, Max: 100 mA, 2.4 W Recommended voltage: 24 VDC, Max: 100 mA
Power Connector	3-pole
Capacity	Up to 250 points.
Installation Conditions	This gateway is designed to be mounted inside an enclosure. If the unit is mounted outside an enclosure, precautions should always be taken to prevent electrostatic discharge to the unit. When working inside an enclosure (e.g., making adjustments, setting switches, etc.), typical anti-static precautions should always be followed before touching the unit.
Content of Delivery	Intesis Gateway, Installation Manual, USB Configuration cable.
Not Included (in delivery)	Power supply not included.
Mounting	DIN rail mount (bracket included), Wall mount
Housing Materials	Plastic
Warranty (years)	3 years

# Modbus TCP & RTU Master to BACnet/IP & MS/TP Server Application



## General

<b>Packaging Material</b>	Cardboard
---------------------------	-----------

## Identification and Status

<b>Product ID</b>	IN7004852500000_BAC_MBS
-------------------	-------------------------

<b>Country of Origin</b>	Spain
--------------------------	-------

<b>HS Code</b>	8517620000
----------------	------------

<b>Export Control Classification Number (ECCN)</b>	EAR99
--	-------

## Physical Features

<b>Connectors / Input / Output</b>	Power supply, two EIA-485 ports, Ethernet, Console port USB Mini-B type, USB storage, EIA-232.
------------------------------------	--

<b>LED Indicators</b>	Gateway and communication status.
-----------------------	-----------------------------------

<b>Push Buttons</b>	Factory reset.
---------------------	----------------

<b>DIP &amp; Rotary Switches</b>	EIA-485 serial port configuration.
----------------------------------	------------------------------------

<b>Battery Description</b>	Manganese Dioxide Lithium button battery.
----------------------------	---

## Certifications and Standards

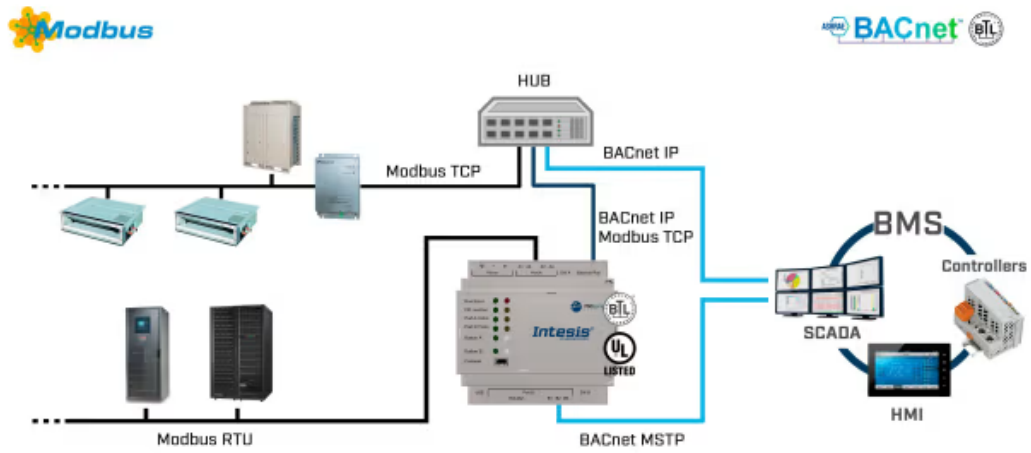
<b>ETIM Classification</b>	EC001604
----------------------------	----------

<b>WEEE Category</b>	IT and telecommunications equipment
----------------------	-------------------------------------

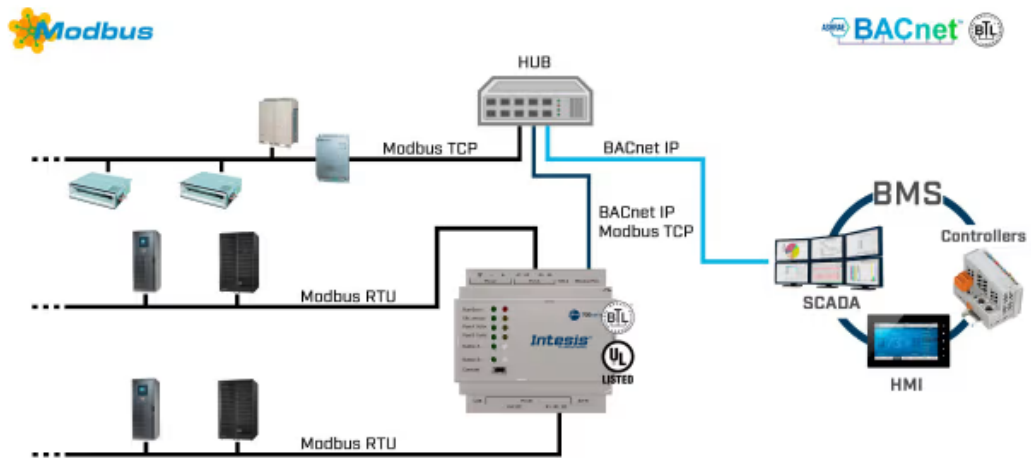
# Modbus TCP & RTU Master to BACnet/IP & MS/TP Server Application



## Use Case



Integration example.

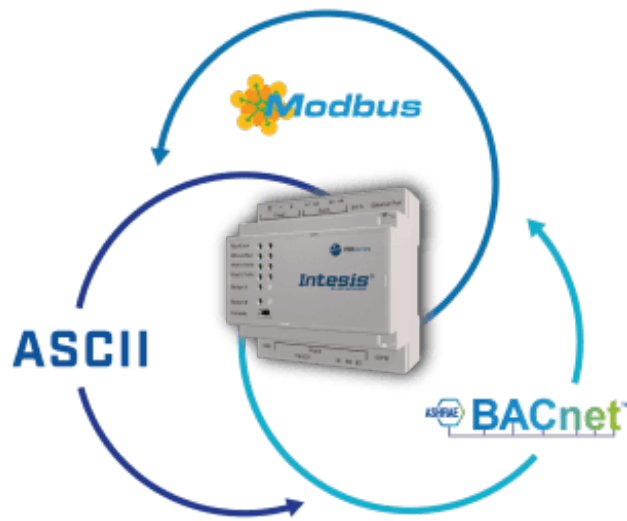
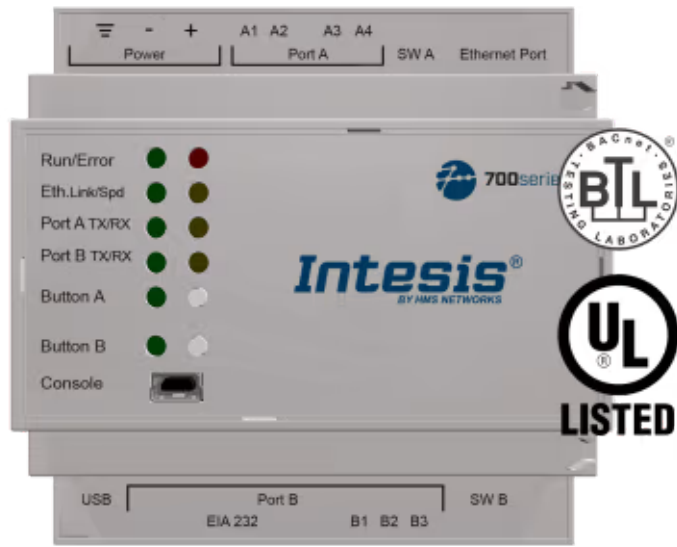


Integration example.

# Modbus TCP & RTU Master to BACnet/IP & MS/TP Server Application



## Use Case



Use Intesis MAPS to change the protocol: BACnet, Modbus, KNX, or Home Automation