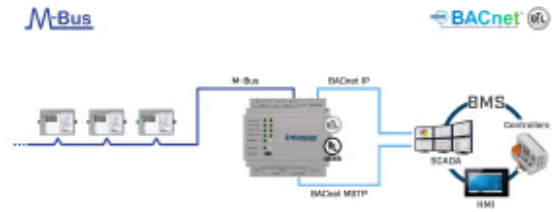


## M-BUS to BACnet/IP & MS/TP Server Gateway

Item number: INBACMEB0100000

Integrate any M-Bus device with a BACnet BMS or any BACnet IP or BACnet MS/TP controller. This integration aims to make M-Bus devices, their registers, and resources accessible from a BACnet-based control system or device as if they were a part of the BACnet system and vice versa.



*M-BUS to BACnet/IP & MS/TP - 10 devices*

### Features and benefits

- ✓ **Support for both BACnet/IP and BACnet MS/TP**  
The gateway supports both BACnet/IP and BACnet MS/TP protocols.
- ✓ **Commissioning-friendly approach with Intesis MAPS**  
Templates can be imported and reused as often as needed, significantly reducing commissioning time.
- ✓ **Configuration through IP (Console) port**  
Configuration can be carried out through the gateway's IP (Console) port.
- ✓ **Embedded M-Bus level converter**  
An M-Bus level converter is embedded in the gateway, so no external one is required.
- ✓ **Easy integration with Intesis MAPS**  
The integration process is quickly and easily managed using the Intesis MAPS configuration tool.
- ✓ **Configuration tool and gateway automatic updates**  
Both the Intesis MAPS configuration tool and the gateway's firmware can receive automatic updates.
- ✓ **Automatic meter detection and register discovery**  
A scan function is available for automatic identification of M-Bus devices and registers discovery.
- ✓ **BACnet Advanced features - calendars, schedules...**  
BACnet's advanced features, such as calendars, trend logs, schedules, and more, are available.



General	
Net Width (mm)	88
Net Height (mm)	56
Net Depth (mm)	90
Net Weight (g)	159
Packed Width (mm)	127
Packed Height (mm)	86
Packed Depth (mm)	140
Packed Weight (g)	184
Operating Temperature °C Min	0
Operating Temperature °C Max	60
Input Voltage (V)	24VDC +/-10%.
Power Connector	3-pole
Capacity	Up to 10 meters.
Installation Conditions	This gateway is designed to be mounted inside an enclosure. If the unit is mounted outside an enclosure, precautions should always be taken to prevent electrostatic discharge to the unit. When working inside an enclosure (e.g., making adjustments, setting switches, etc.), typical anti-static precautions should always be followed before touching the unit.
Content of Delivery	Intesis Gateway, Installation Manual, USB Configuration cable.
Not Included (in delivery)	Power supply not included.
Mounting	DIN rail mount (bracket included), Wall mount
Housing Materials	Plastic
Warranty (years)	3 years



## General

<b>Packaging Material</b>	Cardboard
---------------------------	-----------

## Identification and Status

<b>Product ID</b>	INBACMEB0100000
-------------------	-----------------

<b>Country of Origin</b>	Spain
--------------------------	-------

<b>HS Code</b>	8517620000
----------------	------------

<b>Export Control Classification Number (ECCN)</b>	EAR99
--	-------

<b>Supply Risk Factor ERP</b>	Volume not defined yet
-------------------------------	------------------------

<b>Purchasing Multiple ERP</b>	1
--------------------------------	---

## Physical Features

<b>Connectors / Input / Output</b>	Power supply, MBUS Plug-in screw terminal block, Ethernet, Console port USB, USB storage, EIA-485.
------------------------------------	--

<b>LED Indicators</b>	Gateway and communication status.
-----------------------	-----------------------------------

<b>DIP &amp; Rotary Switches</b>	EIA-485 serial port configuration.
----------------------------------	------------------------------------

<b>Battery Description</b>	Manganese Dioxide Lithium button battery.
----------------------------	---

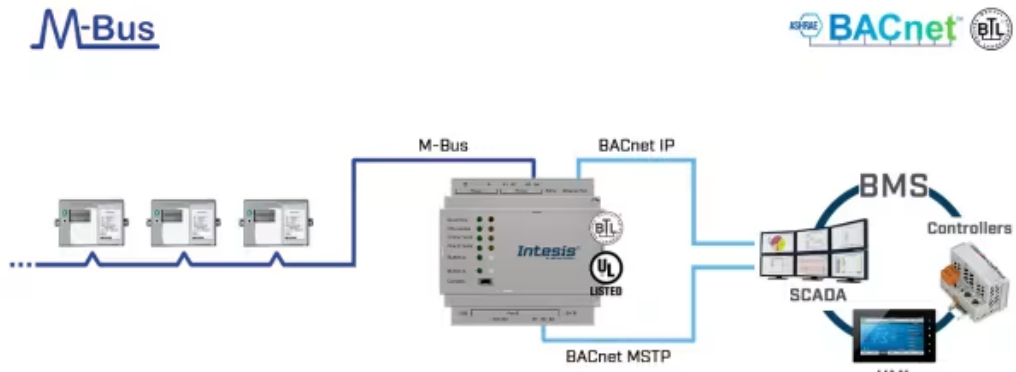
## Certifications and Standards

<b>ETIM Classification</b>	EC001604
----------------------------	----------

<b>WEEE Category</b>	IT and telecommunications equipment
----------------------	-------------------------------------



## Use Case



Integration example.

