

Modbus TCP & RTU Master to BACnet/IP & MS/TP Server

Item number: INBACMBM1K20000

Designed for the integration of any Modbus RTU or TCP server device, or both simultaneously, with a BACnet BMS or any BACnet/IP or BACnet MS/TP controller. This integration aims to make Modbus signals and resources accessible from a BACnet-based control system or device as if they were a part of the BACnet system and vice versa. Please refer to the new product reference for further details.

Replaced by: IN7004851K20000

Features and benefits

Modbus TCP & RTU Master to BACnet/IP & MS/TP Server



General

Net Weight (g)	325
Packed Width (mm)	8
Packed Height (mm)	14
Packed Depth (mm)	12
Warranty (years)	3 years

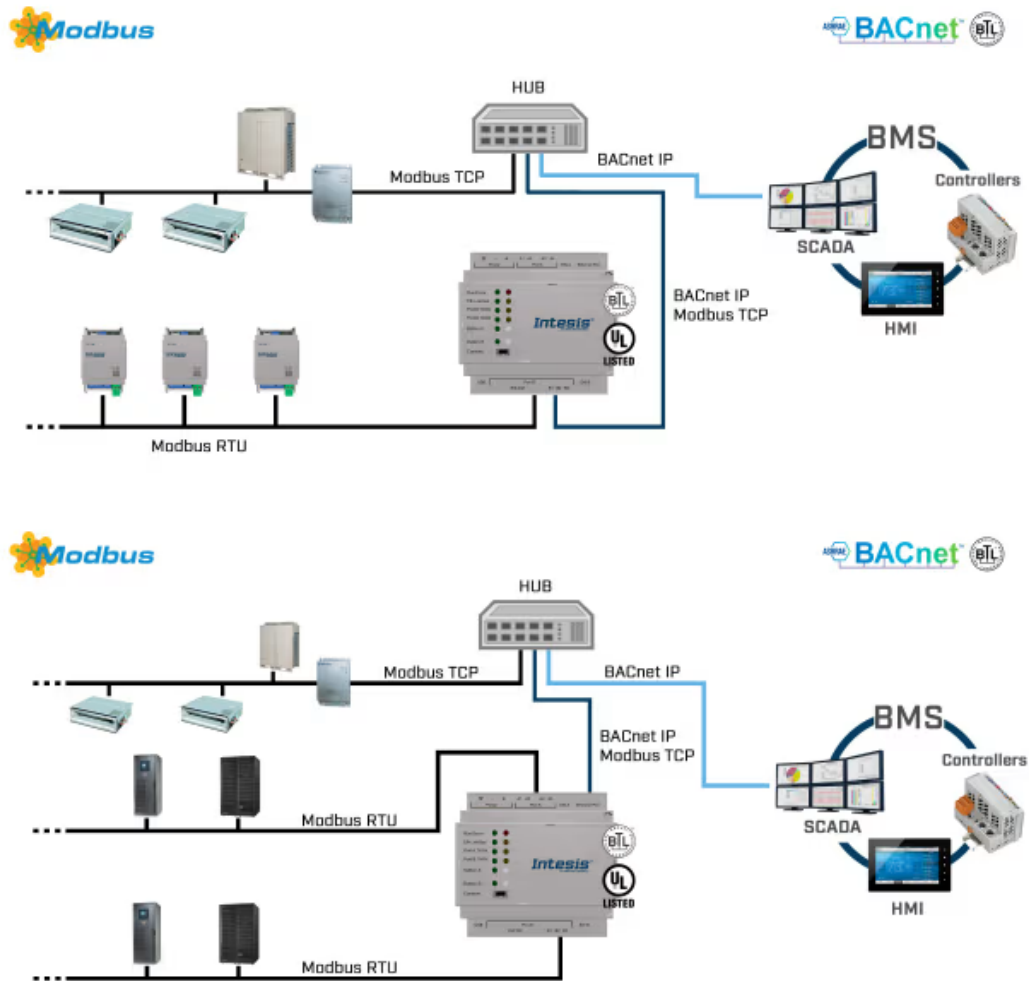
Identification and Status

Product ID	INBACMBM1K20000
Successor	IN7004851K20000_BAC_MBS
Country of Origin	Spain
HS Code	8517620000
Export Control Classification Number (ECCN)	EAR99
Supply Risk Factor ERP	Volume not defined yet

Certifications and Standards

ETIM Classification	EC001604
---------------------	----------

Use Case



Integration example.