

## BACnet/IP & MS/TP Client to ASCII IP & ASCII Serial Server

**Item number: INASCBAC6000000**

Designed for the integration of any BACnet MS/TP or BACnet/IP server device with an ASCII BMS or any ASCII IP or ASCII serial controller. This integration aimed to make BACnet objects, data, and resources accessible from an ASCII-based control system or device as if they were a part of the ASCII system and vice versa. Please refer to the new product reference for further details.

*Replaced by: IN7004856000000*

### Features and benefits

# BACnet/IP & MS/TP Client to ASCII IP & ASCII Serial Server



## General

Net Weight (g)	335
Packed Width (mm)	14
Packed Height (mm)	8
Packed Depth (mm)	13
Warranty (years)	3 years

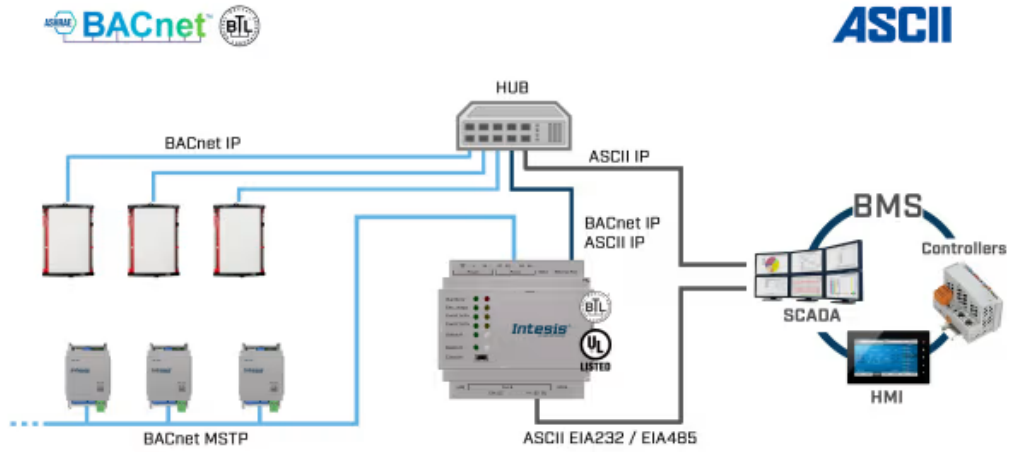
## Identification and Status

Product ID	INASCBAC6000000
Successor	IN7004856000000_ASCII_BAC
Country of Origin	Spain
HS Code	8517620000
Export Control Classification Number (ECCN)	EAR99
Supply Risk Factor ERP	Volume not defined yet

## Certifications and Standards

ETIM Classification	EC001604
---------------------	----------

## Use Case



Integration example.