

Mitsubishi Heavy Industries FD and VRF systems to KNX Interface with Binary Inputs

Item number: INKNXMHI001R000

The Mitsubishi Heavy Industries-KNX interface allows full bidirectional communication between Mitsubishi Heavy Industries FD and VRF systems and KNX installations. It has four potential-free binary inputs to integrate external devices (window contacts or presence detectors), with related internal functions available to improve energy efficiency.



Mitsubishi Heavy Industries to KNX - 1 indoor unit

Features and benefits

- ✓ **ETS configuration**
The interface is configured using the ETS standard configuration tool software.
- ✓ **Multiple energy efficiency functions available**
Timeout, open window, or occupancy energy-saving functions are available to reduce energy costs.
- ✓ **Up to five scenes saved/executed from KNX**
Up to five scenes can be saved and executed from KNX.
- ✓ **Compact dimensions, allowing inside installation**
The interface can be quickly installed inside the AC unit thanks to its reduced dimensions.
- ✓ **Compatible with all KNX thermostats in the market**
All the required DPT objects to be compatible with all KNX thermostats in the market are available.
- ✓ **Smooth KNX thermostat integration**
KNX thermostats are allowed to control the AC unit via the thermostat's temperature sensor.
- ✓ **AC unit control by both remote controller and KNX**
The AC unit can be simultaneously controlled by the manufacturer's remote controller and KNX.

Mitsubishi Heavy Industries FD and VRF systems to KNX Interface with Binary Inputs

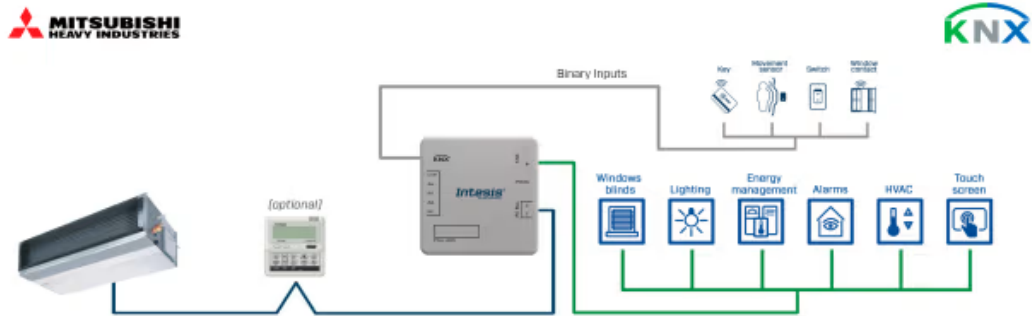


General	
Net Width (mm)	71
Net Height (mm)	71
Net Depth (mm)	27
Net Weight (g)	80
Capacity	1 indoor unit.
Installation Conditions	This gateway is designed to be mounted inside an enclosure. If the unit is mounted outside an enclosure, precautions should always be taken to prevent electrostatic discharge to the unit. When working inside an enclosure (e.g., making adjustments, setting switches, etc.), typical anti-static precautions should always be followed before touching the unit.
Warranty (years)	3 years
Identification and Status	
Product ID	INKNXMHI001R000
Country of Origin	Spain
HS Code	8517620000
Export Control Classification Number (ECCN)	EAR99
Supply Risk Factor ERP	Volume not defined yet
Purchasing Multiple ERP	1
Certifications and Standards	
ETIM Classification	EC001604
WEEE Category	IT and telecommunications equipment

Mitsubishi Heavy Industries FD and VRF systems to KNX Interface with Binary Inputs



Use Case



Integration example.